

 *AtiAluminium*



AtiAluminium Line

Glass supporting railing system

6-9

MGS Premium M100

On-floor glass railings supporting system



10-13

MGS Premium M150

In-floor glass supporting system



14-17

MGS Premium M200

Glass railings supporting system on external connections



18-21

MGS Premium M300

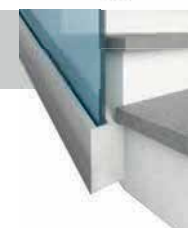
On-floor economical glass supporting system



22-24

MGS Premium M400

New Arrival! Glass stair railing systems on external connections



25

MGS Premium M500

Variety of glass handrail profile



26

MGS Premium M600

External connection system with points fixture



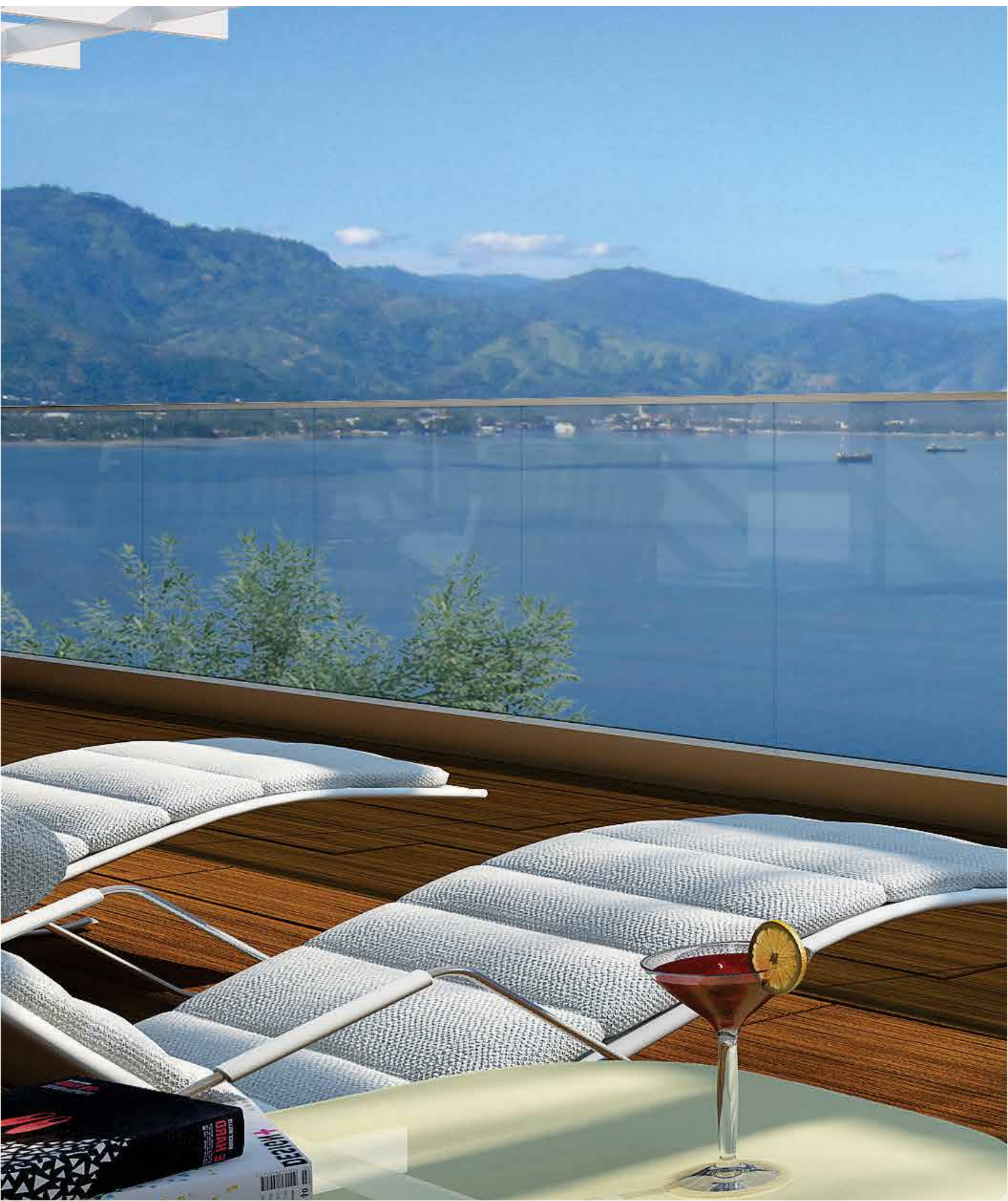
27

Accesories

Variety of system accesories

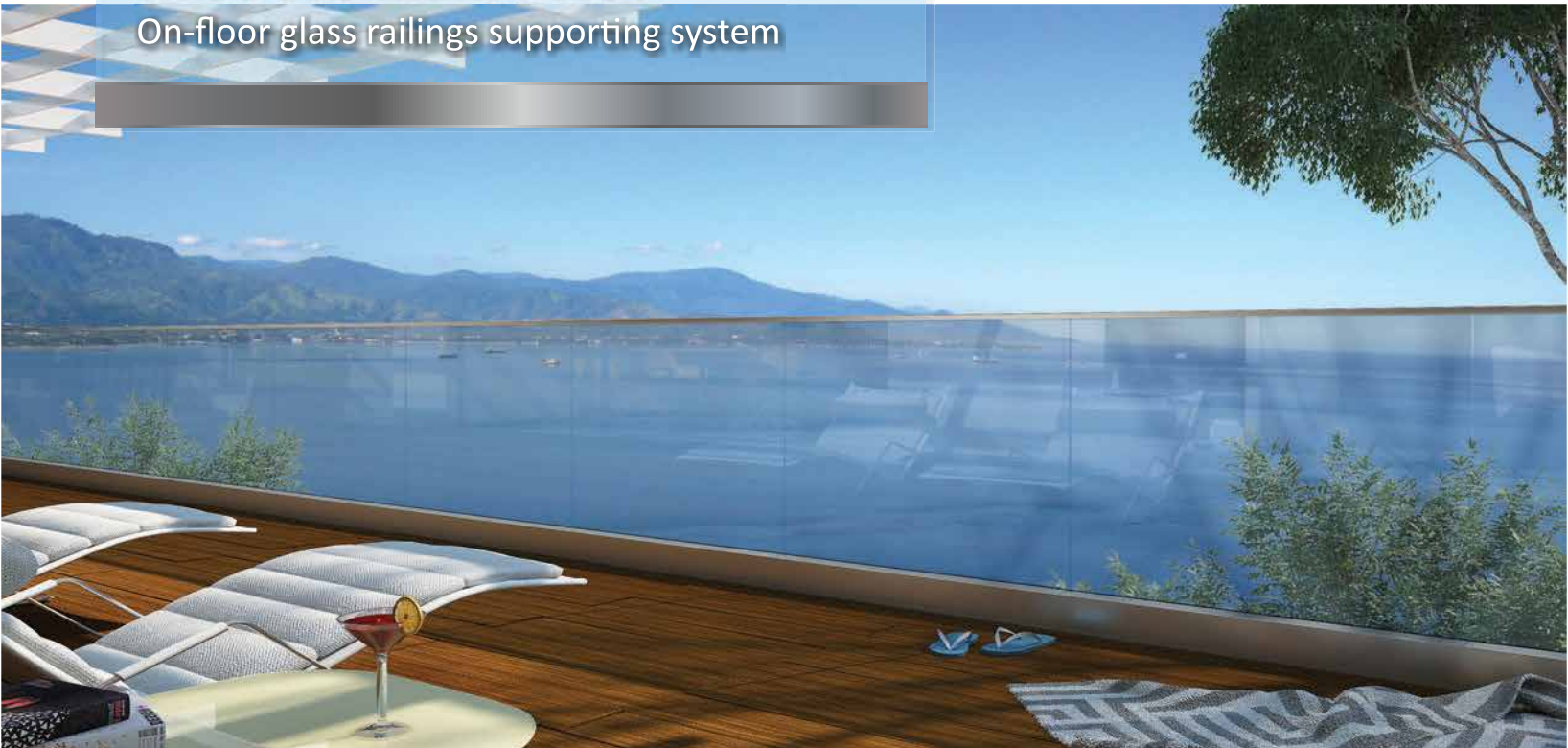


 *AtiAluminium*



MGS Premium M100

On-floor glass railings supporting system



The MGS Premium M100 on-floor glass panels system, being made of aluminium, provides a special appearance by the strong contrast with the apparent fragility of glass.

It is a highly performing, efficient and sustainable system, guaranteed by recognized quality standards. With 3 variants of ornamental covers and 4 types of handrail, our system gives originality and identity specific for the design you want.

The length of the piece is of 15 cm, and the length of the 3 variants of ornamental covers is of 6 m.

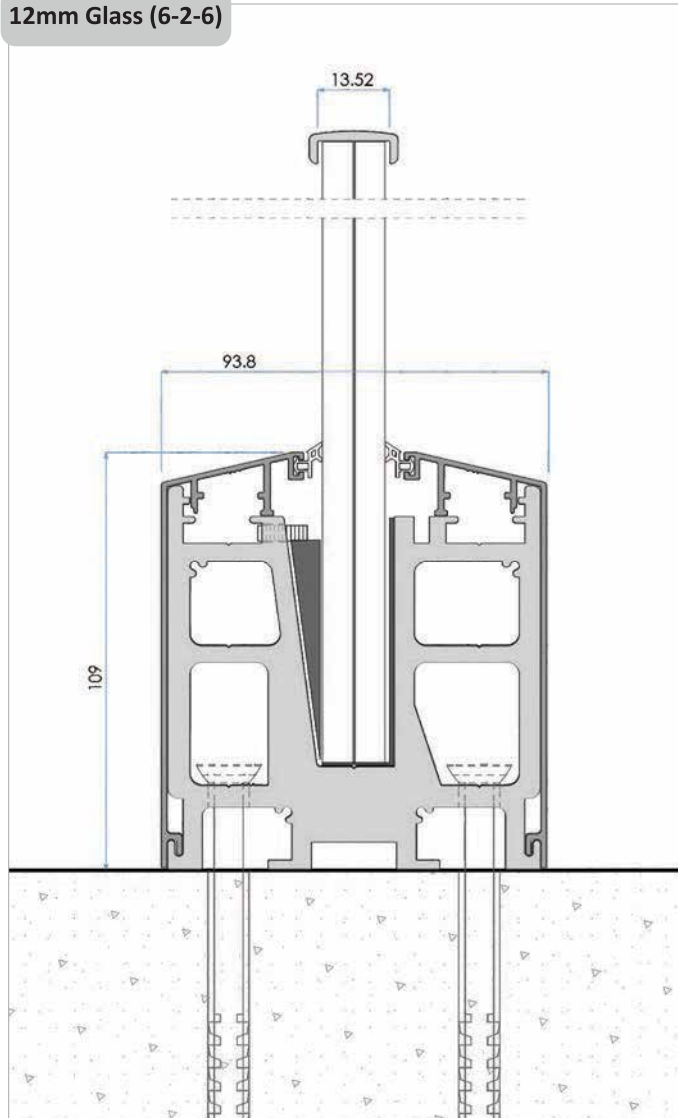
This system can incorporate glass of 6.2.6 mm and 8.2.8. mm thickness.

We recommend laminated and secure glass, as it is a material highly resistant to bad weather and mechanical actions.

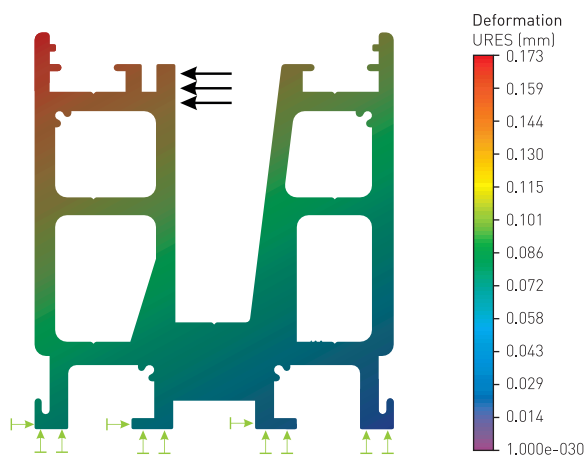
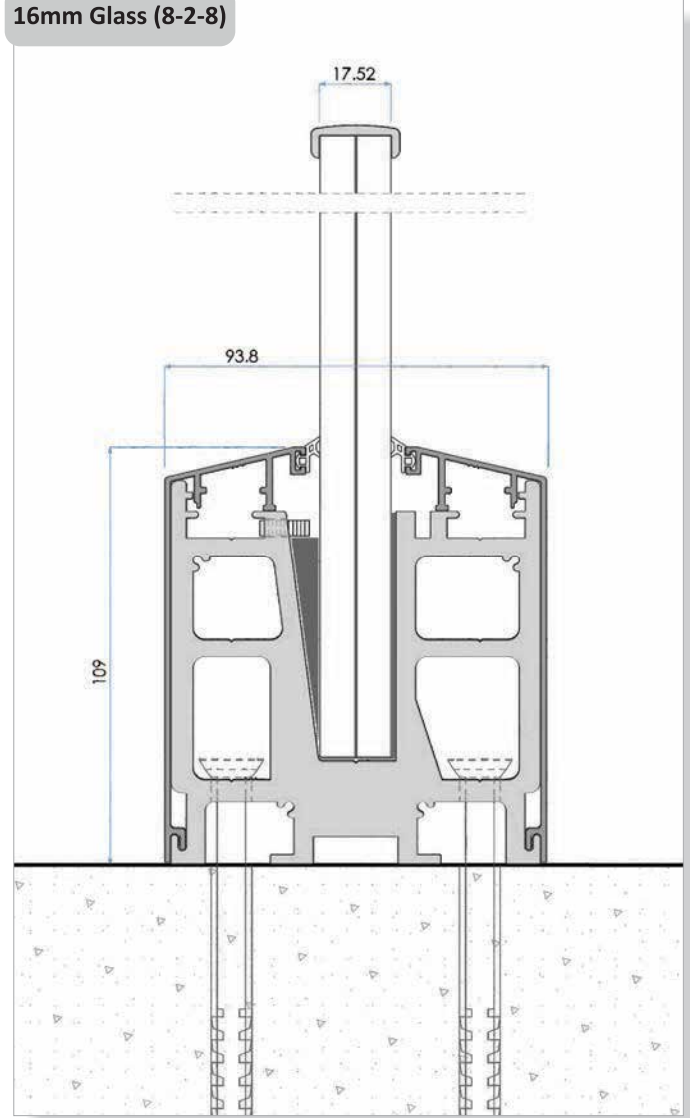
MGS Premium M100

Technical Specification

12mm Glass (6-2-6)



16mm Glass (8-2-8)



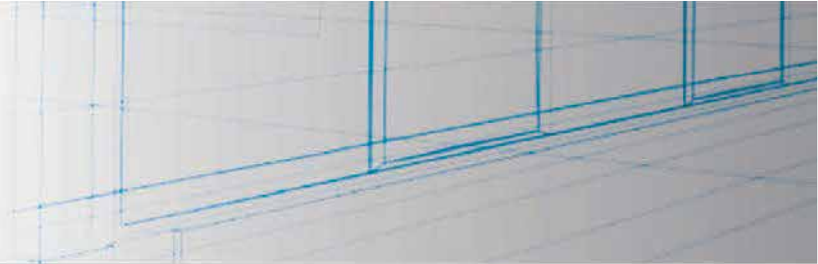
Data sheet

Mass

9.500 Kg/m

Density

2700 Kg/mc



System Components

Code: M100-01



Ground fixing main part



Screw & plug (10 x 140)



Side & bottom PVC protection

Hexagonal socket screws (M6x12)

System Covers

Leaning model



Code: M100-10



Straight model



Code: M100-20



Round model



Code: M100-30



Code: M100-10F

Leaning endcap



Code: M100-20F

Straight endcap



Code: M100-30F

Round endcap

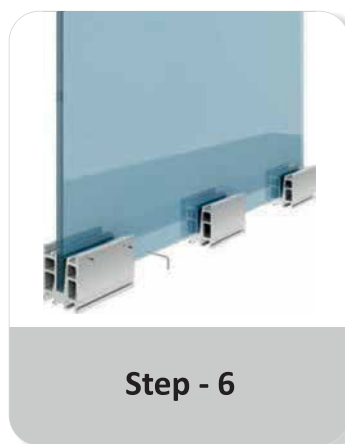


MGS Premium M100

System Configuration



Montage Details



MGS Premium M150

In-floor glass supporting system



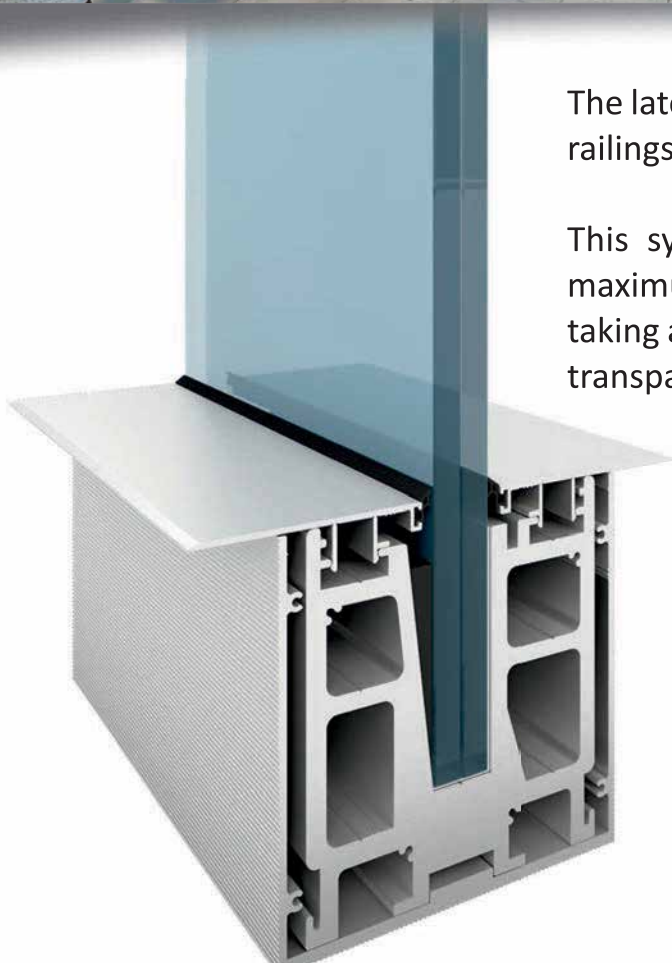
The latest trend in constructions and design for embedded railings is offered by MGS Premium M150 system.

This system, with in-floor aluminium profile, provides maximum safety and guaranteed sustainability, without taking away anything from the special appearance and the transparency offering an unlimited panorama.

With this elegant system, we offer at a global level a qualified partner for architecture and design.

The length of the piece is of 15 cm, of the embedding profile of 6 m, and the length of the ornamental cover is of 6 m. This system can incorporate glass of 6.2.6 mm and 8.2.8. mm thickness.

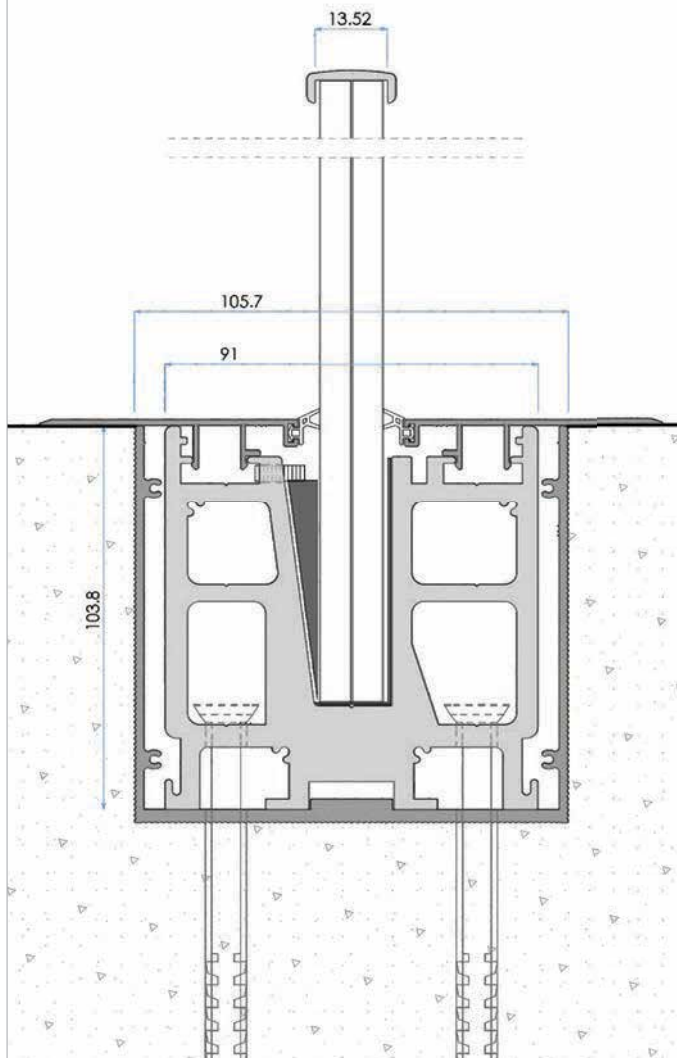
We recommend laminated and secure glass.



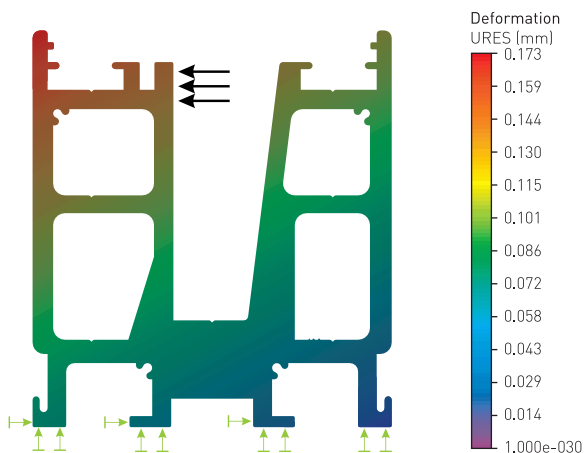
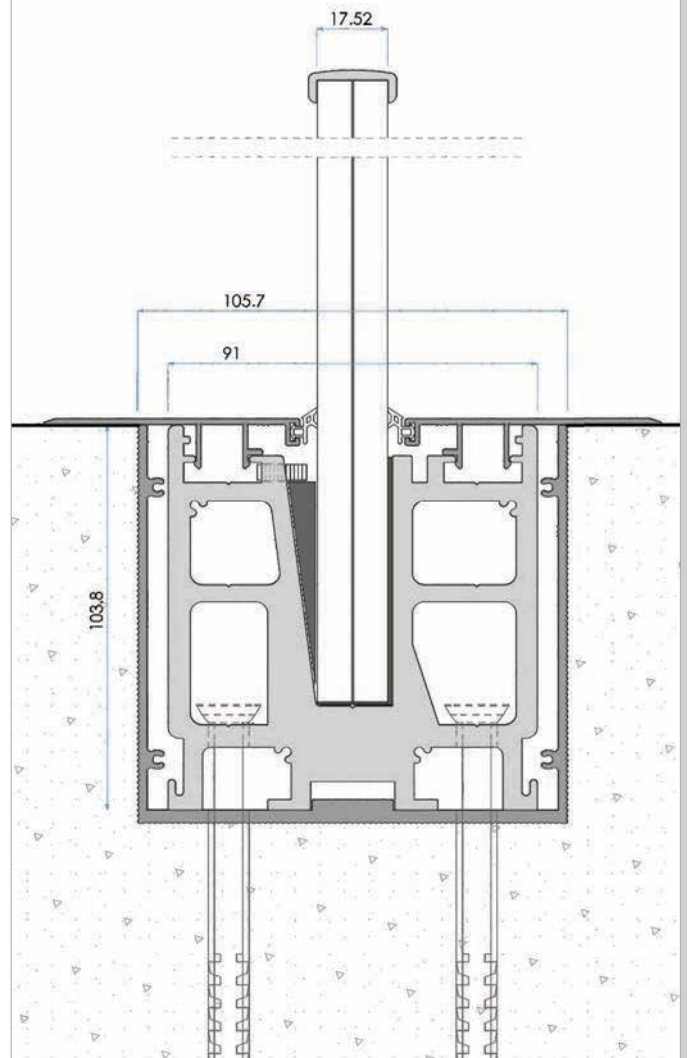
MGS Premium M150

Technical Specification

12mm Glass (6-2-6)



16mm Glass (8-2-8)



Data sheet

Mass

9.500 Kg/m

Density

2700 Kg/mc

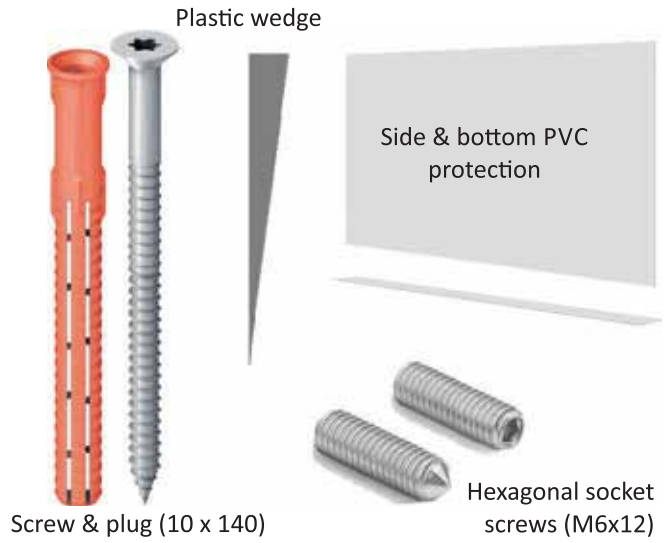
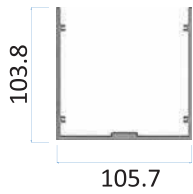
System Components

Ceod: M100-01



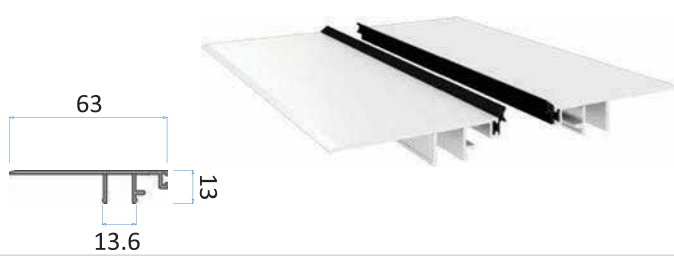
Ground fixing main part

Code: M150-50



System Covers

Code: M150-40

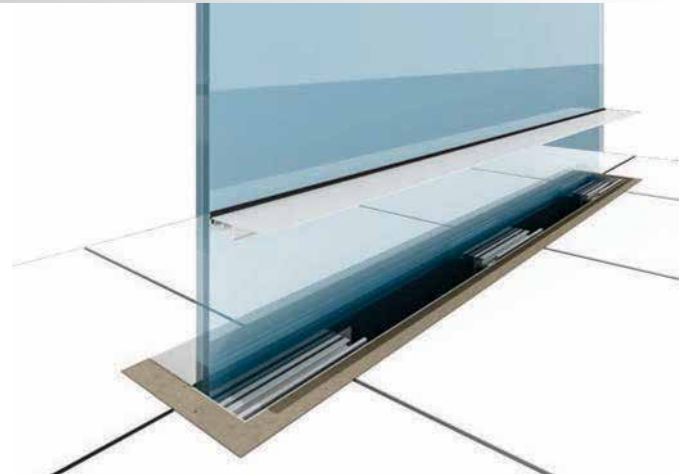
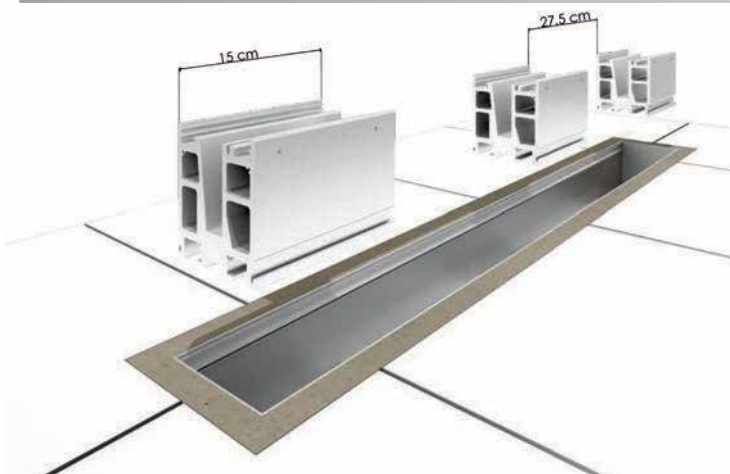


Code: M150-50

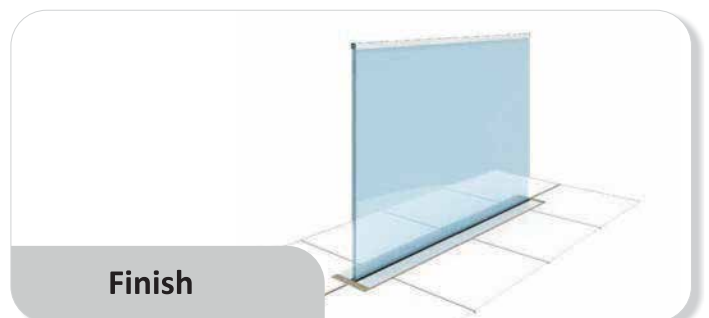
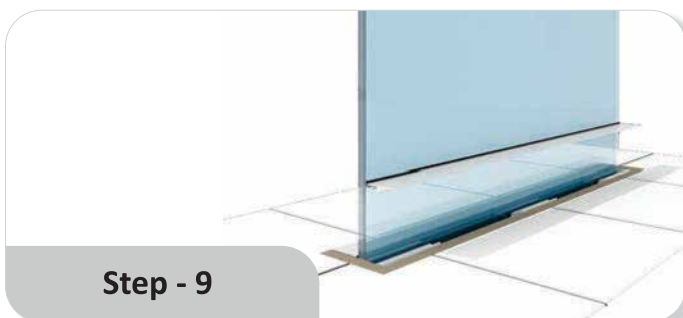
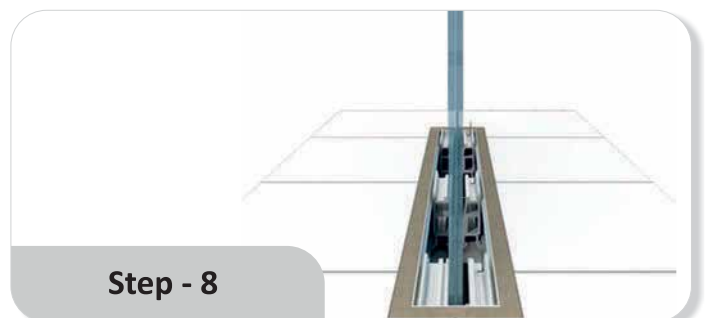
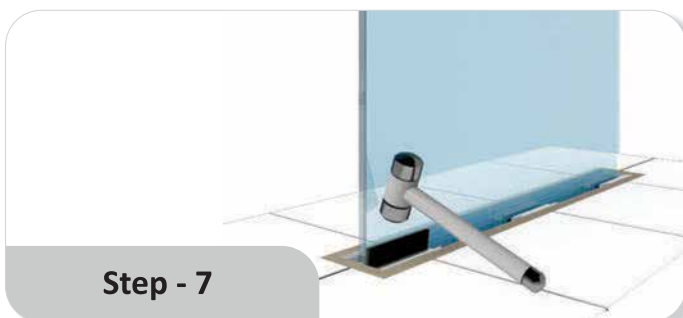
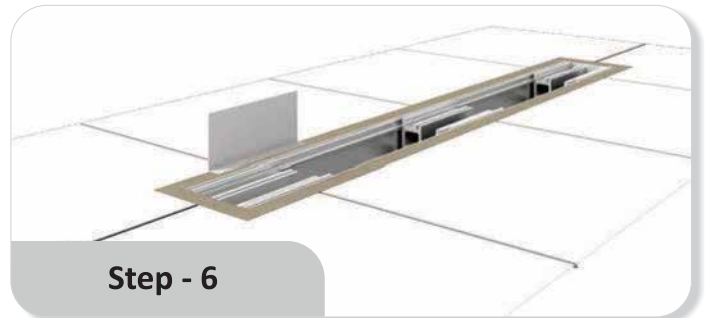
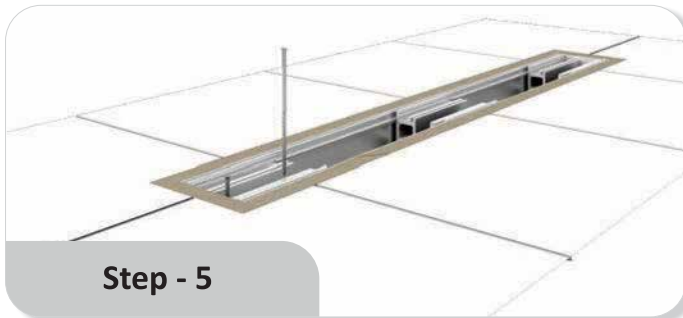
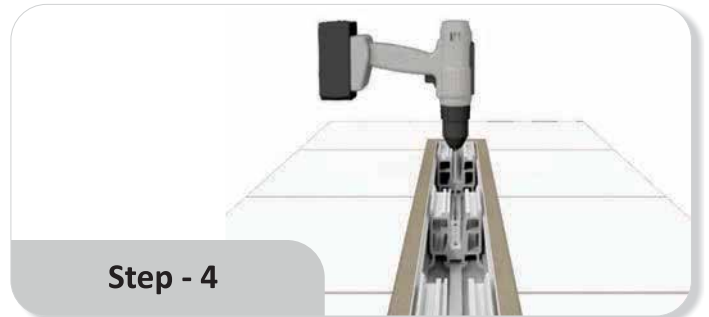
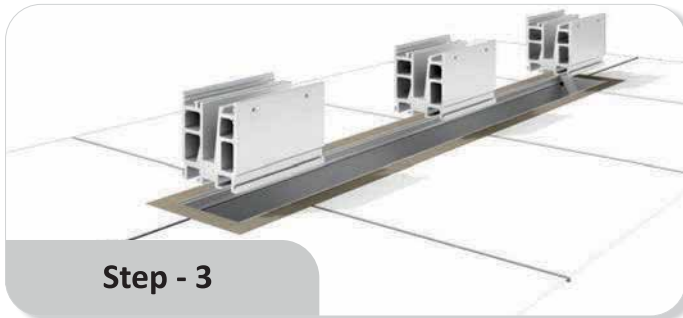
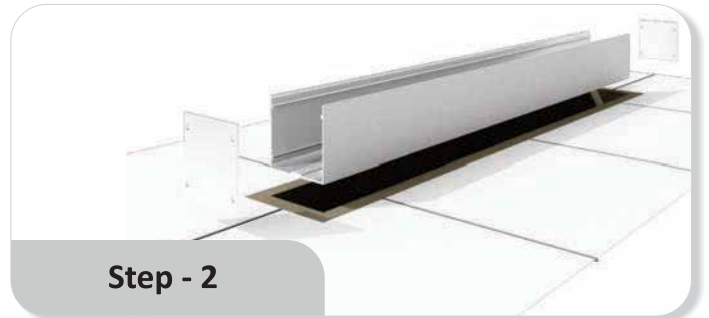
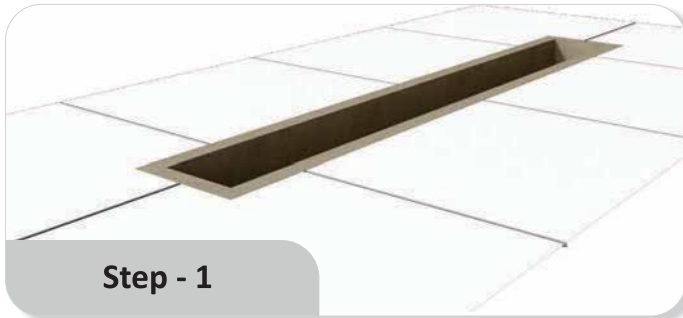
Straight endcap



System Configuration



Montage Details



MGS Premium M200

Glass railings supporting system on external connections



When we talk about making a glass railing, it is essential to choose, in the first place, the correct fixing method, which subsequently determines the type and thickness of the glass.

The most suitable and newest system for all external connections is MGS Premium M200. Being fixed on the side, it saves the useful space of the construction.

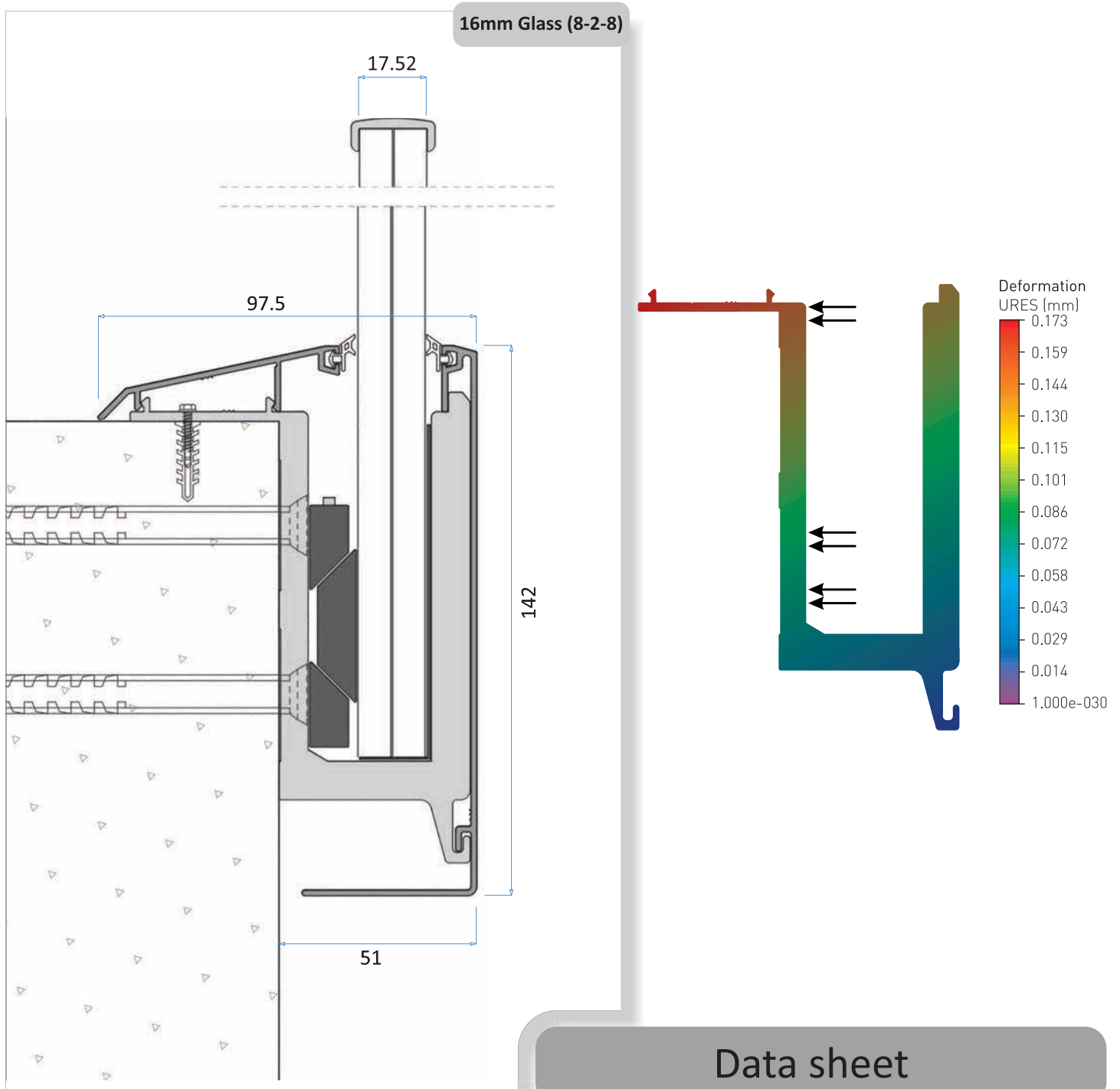
The system is highly performing, durable and elegant, perfect for a modern design.

The length of the profile is of 4 m, and the length of the ornamental cover is of 6 m.

This system allows mounting the glass of 8.2.8. mm. We recommend laminated and secure glass.

MGS Premium M200

Technical Specification



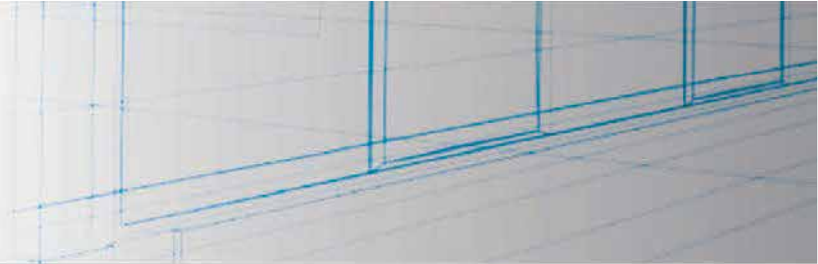
Data sheet

Mass

5.20198 Kg/m

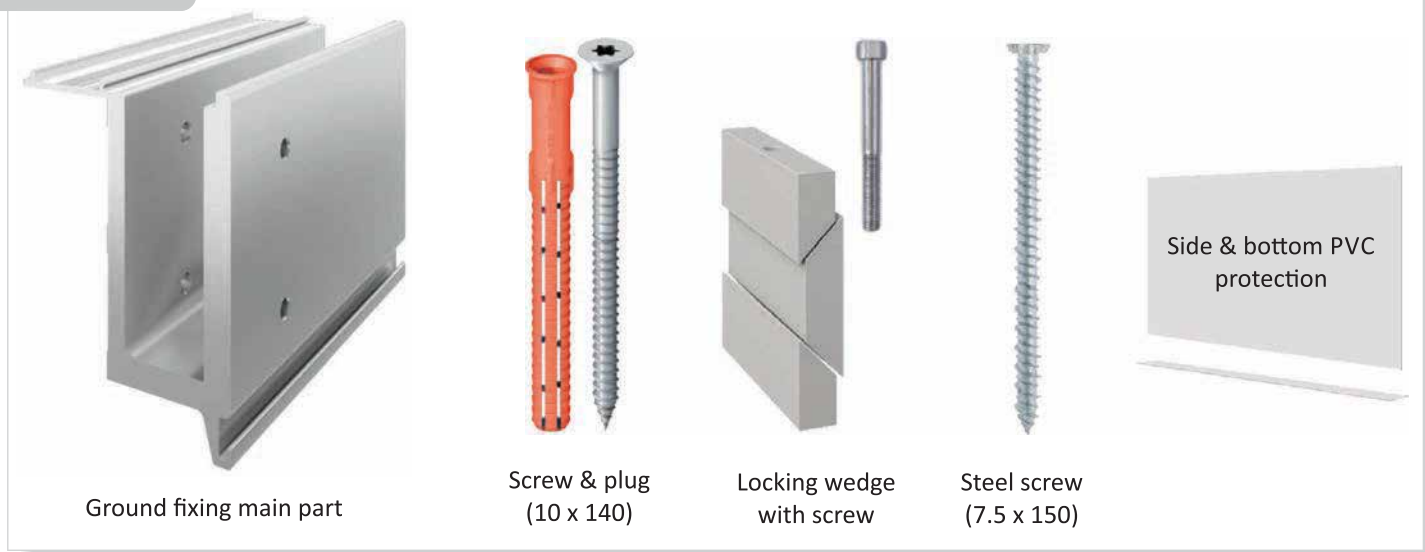
Density

2700 Kg/mc



System Components

Code: M200-02



Ground fixing main part

Screw & plug
(10 x 140)

Locking wedge
with screw

Steel screw
(7.5 x 150)

Side & bottom PVC
protection

System Covers

Code: M200-60



Code: M200-70

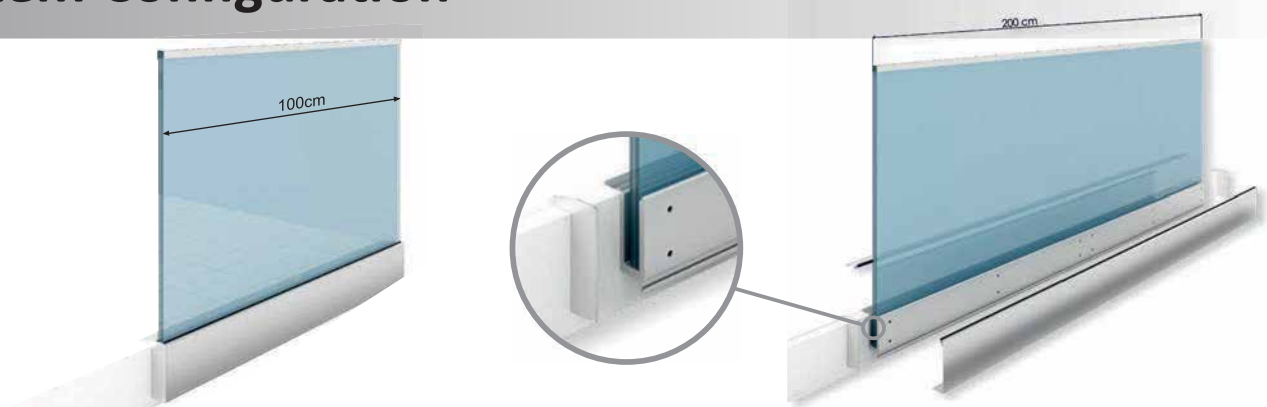


Code: M200-02F



Endcaps

System Configuration



MGS Premium M200

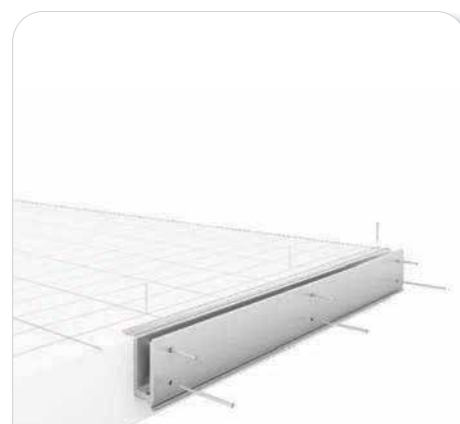
Montage Details



Step - 1



Step - 2



Step - 3



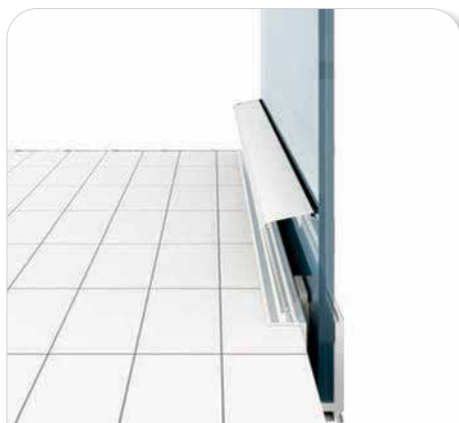
Step - 4



Step - 5



Step - 6



Step - 7



Step - 8



Finish

MGS Premium M300

In-floor economical glass supporting system



The economic version which ensures the unmistakable aspect is the MGS Premium 300 range.

The glass railings will always have a special visual impact. Glass is of a complex material that does not go of style in time, bringing extra elegance and style to the furnished space.

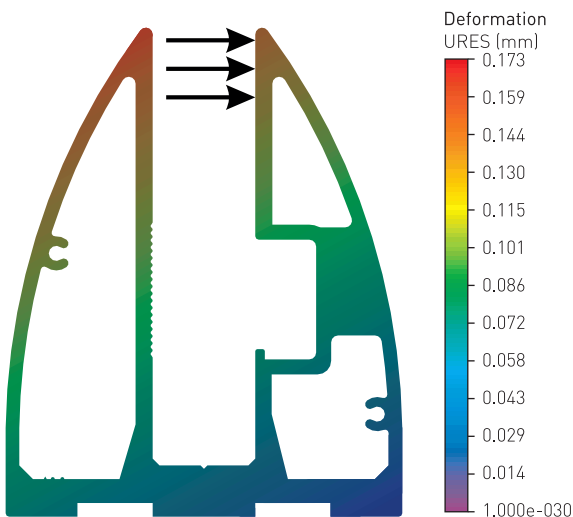
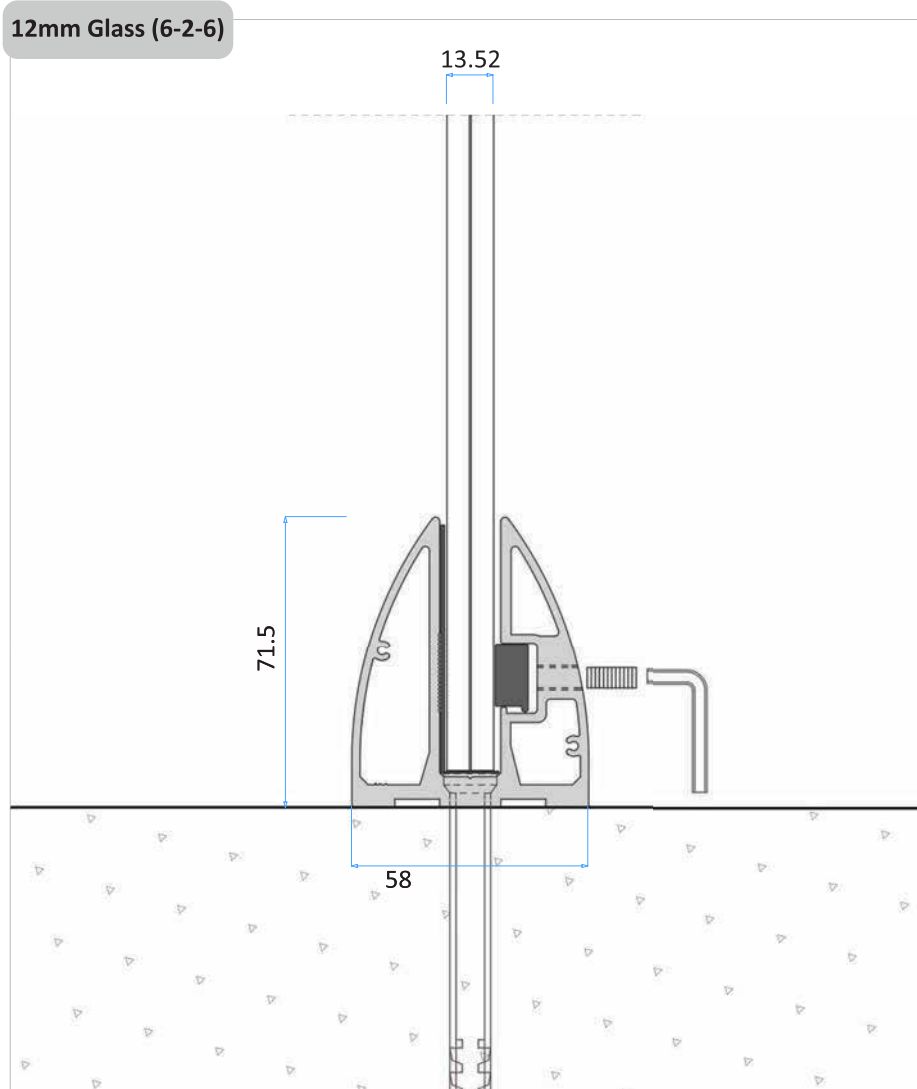
This system fixes the glass into the profile with clamping parts and does not require the use of the ornamental cover, the profile being anodized.

The length of the profile is of 6 m and allows mounting the glass of 5.2.5. mm and 6.2.6. mm.

We recommend laminated and secure glass.

MGS Premium M300

Technical Specification



Data sheet

Mass

2.77916 Kg/m

Density

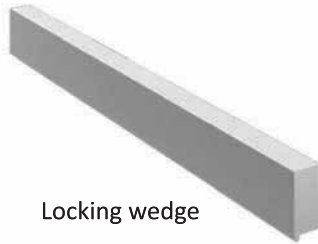
2700 Kg/mc

System Components

Code: M300-03



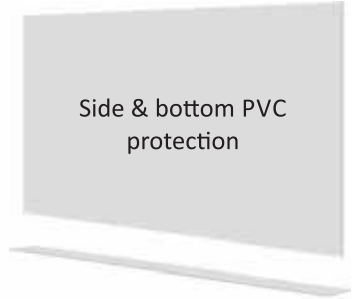
Ground fixing main part



Locking wedge



Steel screw
(7.5 x 150)



Side & bottom PVC
protection

Code: M300-03F

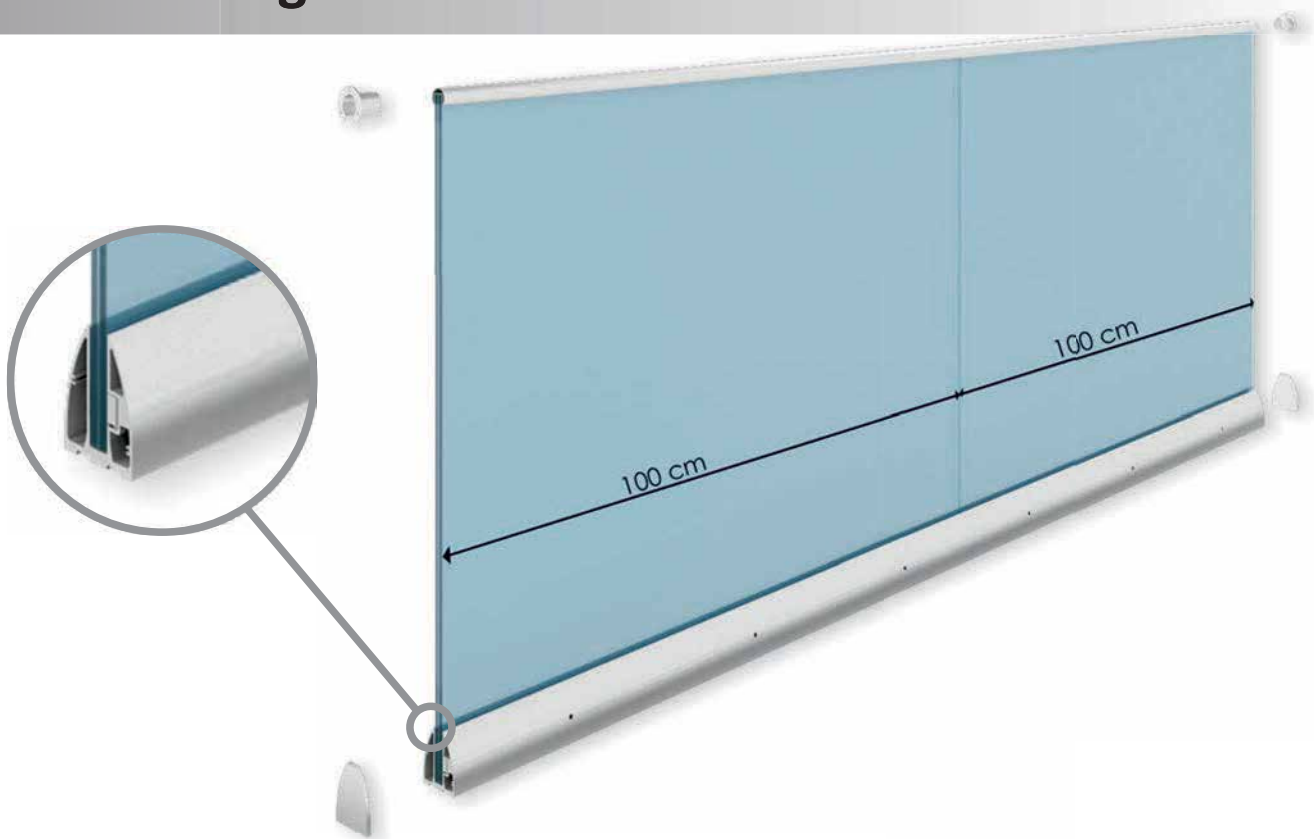


Main part endcap



Hexagonal socket
screws (M6x12)

System Configuration



MGS Premium M300

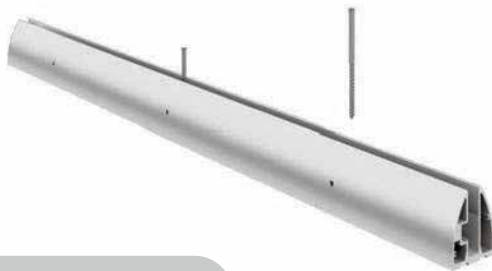
Montage Details



Step - 1



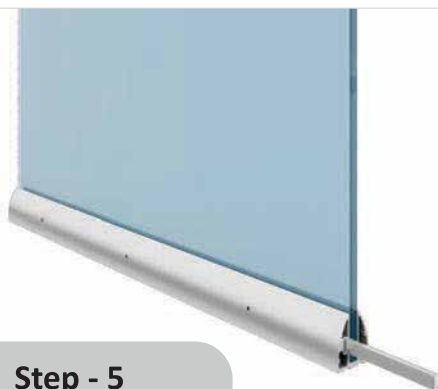
Step - 2



Step - 3



Step - 4



Step - 5



Step - 6



Finish

MGS Premium M400

Glass stair railing systems on external connections



Another performing system for glass railings is MGS Premium M400.

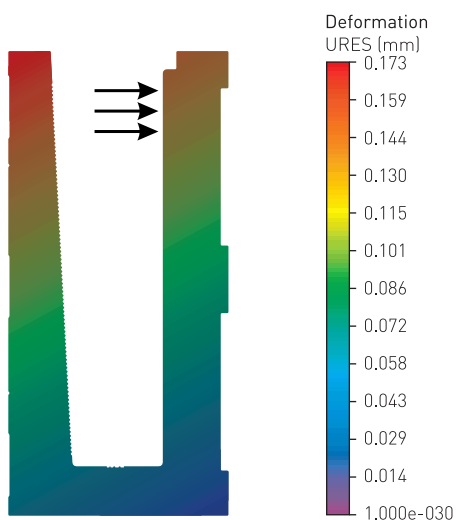
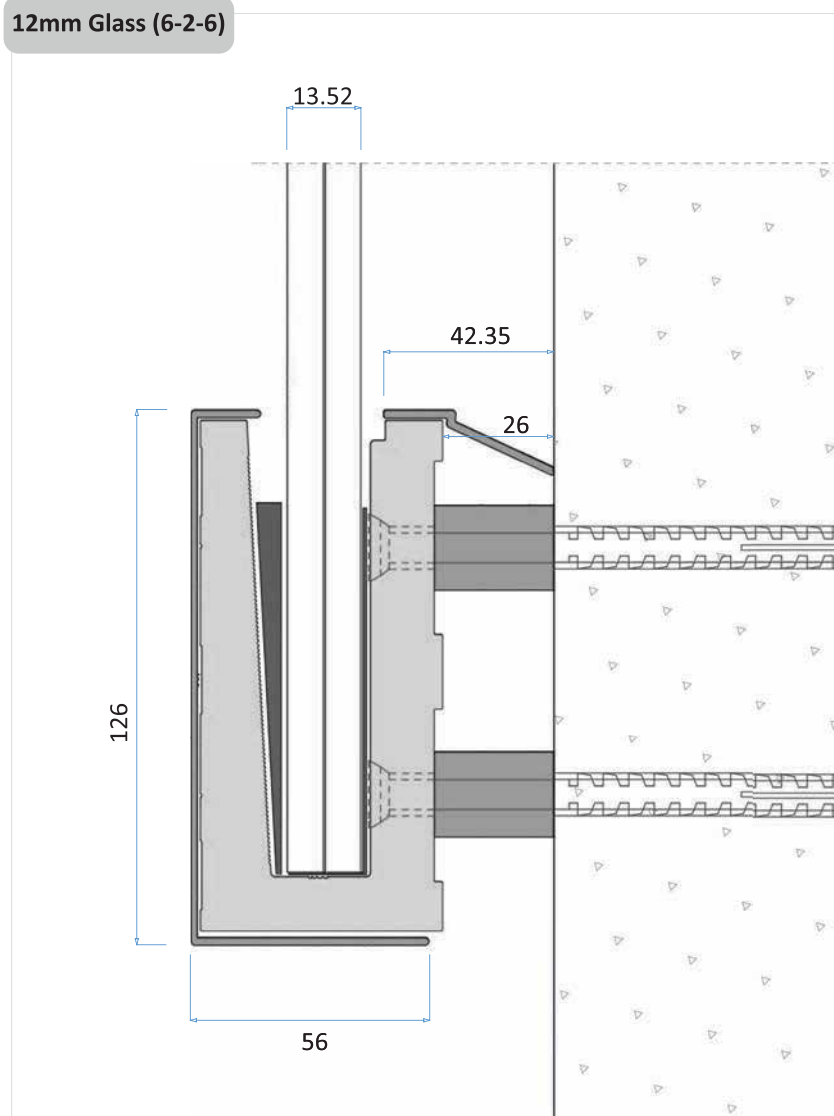
It can be fixed on the side as well, which makes it the most suitable system for stair railings, thus saving the useful space thereof.

The staircase is a distinct architectural element, which can make the first impression when entering a house or a public space, and through its functionality and design a staircase with glass railings can represent more than a way of access between floors.

The length of the profile is of 6 m, and the length of the ornamental cover is of 6 m. This system allows mounting the glass of 8.2.8. mm.

We recommend laminated and secure glass.

Technical Specification



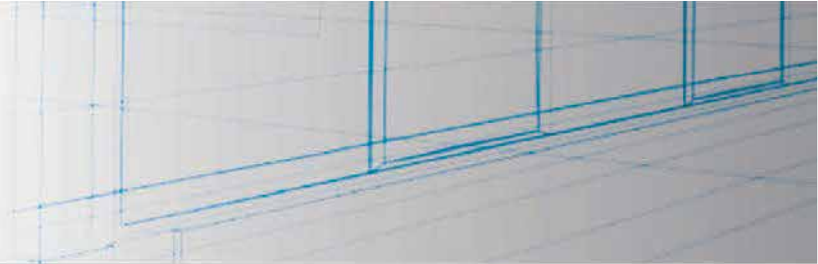
Data sheet

Mass

2.77916 Kg/m

Density

2700 Kg/mc

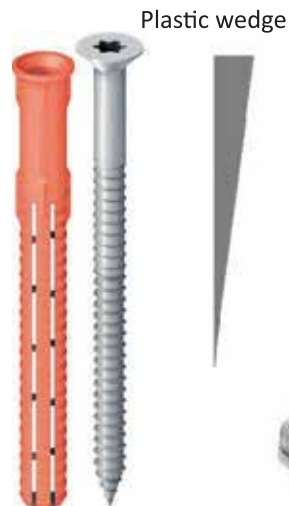


System Components

Code: M400-04



Ground fixing main part



Screw & plug (10 x 140)

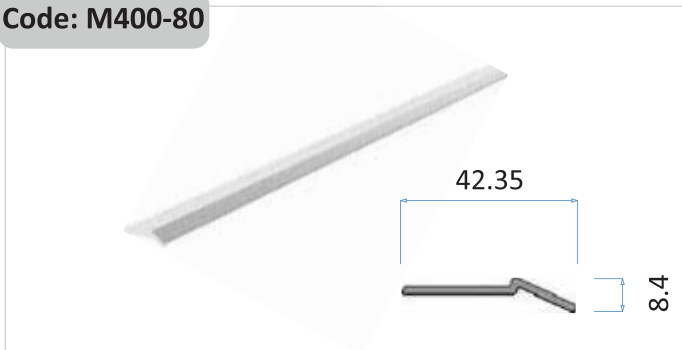


Side & bottom PVC protection

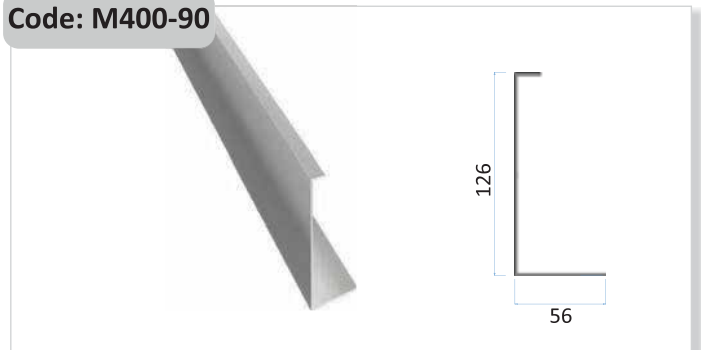
Hexagonal socket screws (M6x12)

System Covers

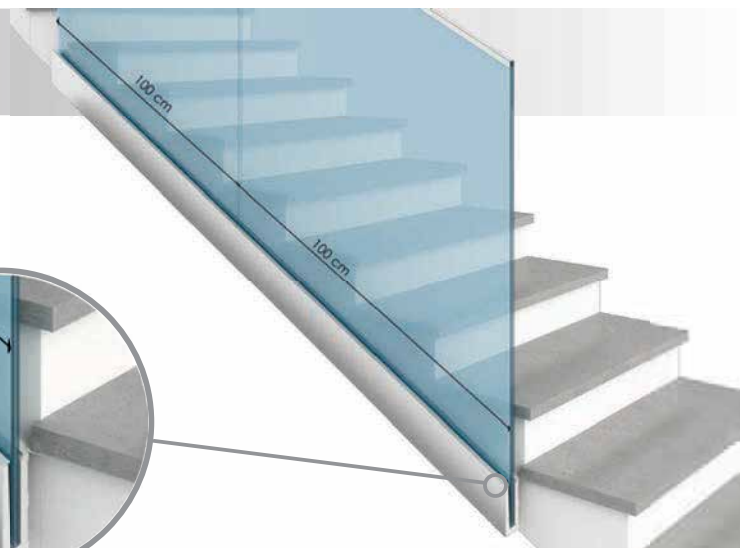
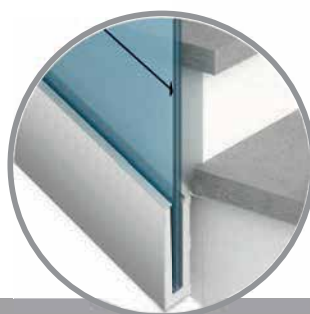
Code: M400-80



Code: M400-90



System Configuration



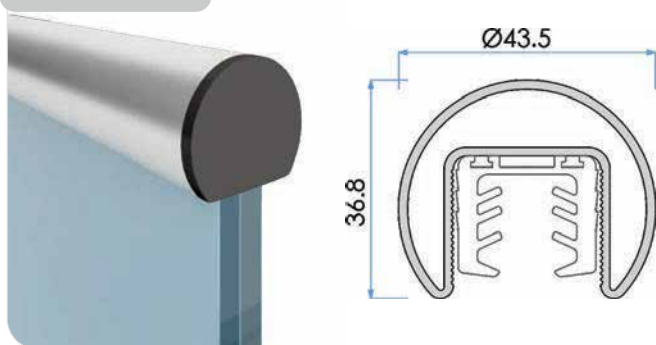
MGS Premium M500

MGS Premium M500

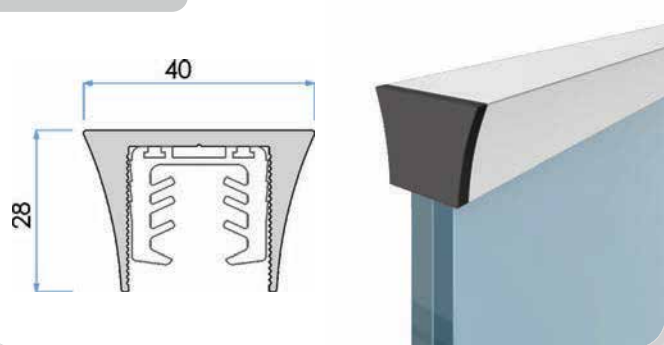
Variety of glass handrail profile



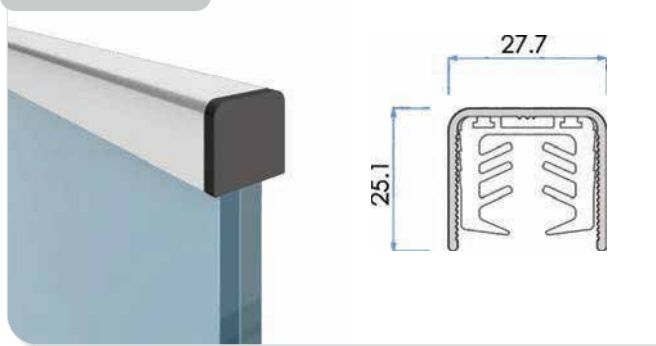
Code: M500-01



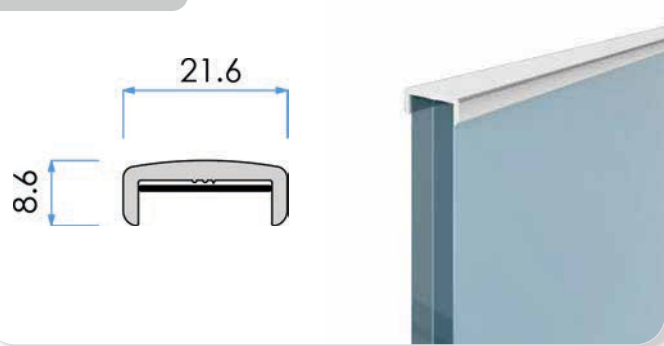
Code: M500-03



Code: M500-02



Code: M500-04

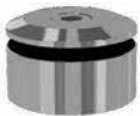


MGS Premium M600

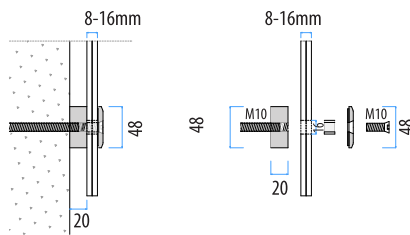
External connection system with points fixture



Code: M600-69A



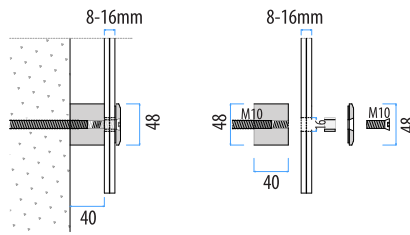
A = 48mm
B = 20mm
 D = M10
 Q = 8-12mm
 Glass drillig - Ø 16mm
 Stainless steel - 304 quality



Code: M600-69B



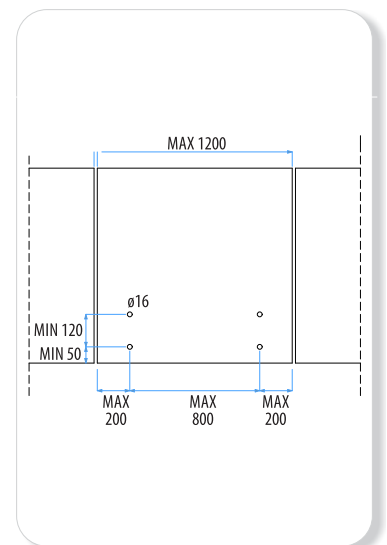
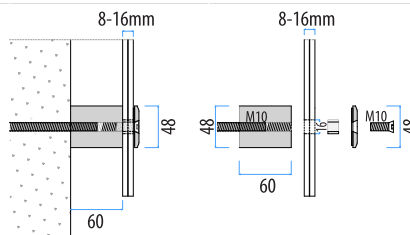
A = 48mm
B = 40mm
 D = M10
 Q = 8-16mm
 Glass drillig - Ø 16mm
 Stainless steel - 304 quality



Code: M600-69C



A = 48mm
B = 60mm
 D = M10
 Q = 8-16mm
 Glass drillig - Ø 16mm
 Stainless steel - 304 quality



Accessories

Code: C500-01

Plastic endcaps for on-glass profile
round model (M500-01)



Code: C500-02

Plastic endcaps for on-glass profile
square model (M500-02)



Code: C500-03

Plastic endcaps for on-glass profile
trapezoid model (M500-03)



Code: P500-01

External wall flange
round model (M500-01)



Code: P500-02

External wall flange
square model (M500-02)



Code: P500-03

External wall flange
trapezoid model (M500-03)



Code: T500-01

Internal plastic corner 90° for on-glass profile
round model (M500-01)



Code: T500-02-03

Internal plastic corner 90° for on-glass profile
square and trapezoid model (M500-02/M500-03)



 AtiAluminium



ATIBİKE METAL ALÜMİNYUM İTHALAT VE İHRACAT SAN. VE TİC. A.Ş.
Hatip Mahallesi Gündüz Sefası Sokak B/Blok No:14

<https://www.atialuminium.com>

info@atialuminium.com